



# SC18IS602B

## I<sup>2</sup>C-bus to SPI bridge

Rev. 5.1 — 11 February 2015

Product data sheet

## 1. General description

---

The SC18IS602B is designed to serve as an interface between a standard I<sup>2</sup>C-bus of a microcontroller and an SPI bus. This allows the microcontroller to communicate directly with SPI devices through its I<sup>2</sup>C-bus. The SC18IS602B operates as an I<sup>2</sup>C-bus slave-transmitter or slave-receiver and an SPI master. The SC18IS602B controls all the SPI bus-specific sequences, protocol, and timing. **The SC18IS602B has its own internal oscillator,** and it supports four SPI chip select outputs that may be configured as GPIO when not used.

## 2. Features and benefits

---

- I<sup>2</sup>C-bus slave interface operating up to **400 kHz**
- SPI master operating up to **1.8 Mbit/s**
- 200-byte data buffer
- Up to four slave select outputs
- Up to four programmable I/O pins
- Operating supply voltage: **2.4 V to 3.6 V**
- ~~Low power mode~~
- ~~Internal oscillator option~~
- Active LOW interrupt output
- ~~ESD protection exceeds 2000 V HBM per JESD22-A114, 200 V MM per JESD22-A115, and 1000 V CDM per JESD22-C101~~
- ~~Latch-up testing is done to JEDEC Standard JESD78 that exceeds 100 mA~~
- Very small 16-pin **TSSOP**

## 3. Applications

---

- Converting I<sup>2</sup>C-bus to SPI
- Adding additional SPI bus controllers to an existing system



## 4. Ordering information

Table 1. Ordering information

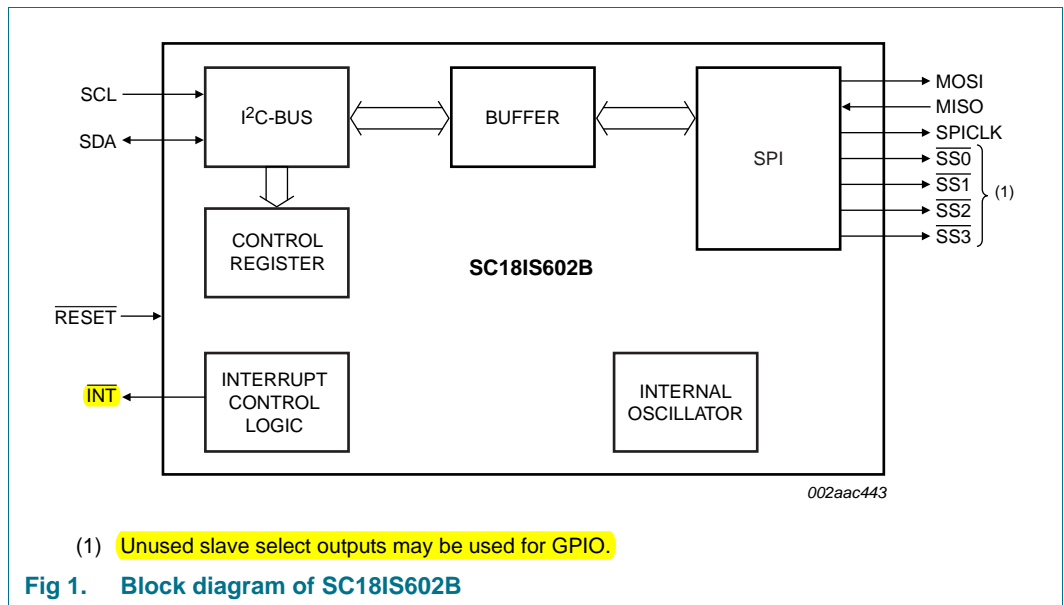
| Type number   | Topside marking | Package |  |          |
|---------------|-----------------|---------|--|----------|
|               |                 | Name    | Description  | Version  |
| SC18IS602BIPW | IS602B          | TSSOP16 | plastic thin shrink small outline package; 16 leads; body width 4.4 mm | SOT403-1 |

### 4.1 Ordering options

Table 2. Ordering options

| Type number   | Orderable part number | Package | Packing method                          | Minimum order quantity | Temperature                         |
|---------------|-----------------------|---------|---|------------------------|-------------------------------------|
| SC18IS602BIPW | SC18IS602BIPW,128     | TSSOP16 | REEL 13" Q2/T3<br>*STANDARD MARK<br>SMD | 2500                   | T <sub>amb</sub> = -40 °C to +85 °C |

## 5. Block diagram



## 6. Pinning information

### 6.1 Pinning

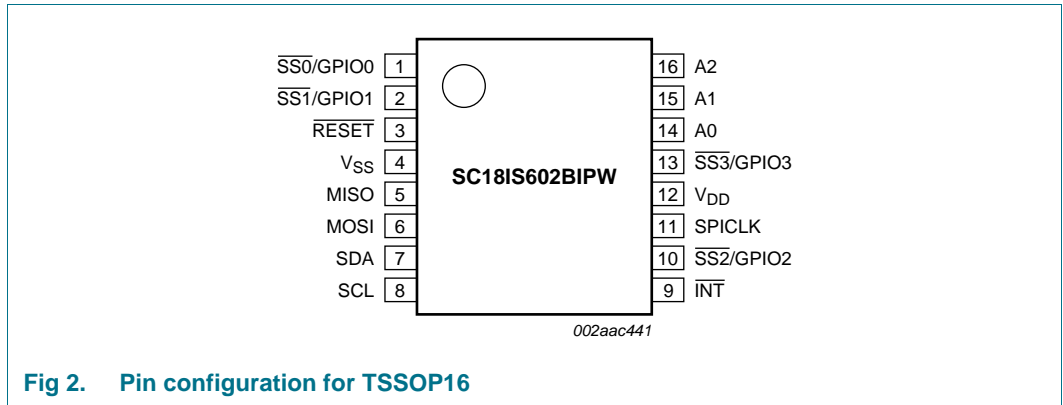


Fig 2. Pin configuration for TSSOP16

### 6.2 Pin description

Table 3. Pin description

| Symbol          | Pin | Type | Description   |
|-----------------|-----|------|---|
| SS0/GPIO0       | 1   | I/O  | SPI slave select output 0 (active LOW) or GPIO 0              |
| SS1/GPIO1       | 2   | I/O  | SPI slave select output 1 (active LOW) or GPIO 1              |
| RESET           | 3   | I    | reset input (active LOW)                                      |
| V <sub>SS</sub> | 4   | -    | ground supply   |
| MISO            | 5   | I    | Master In, Slave Out  |
| MOSI            | 6   | O    | Master Out, Slave In  |
| SDA             | 7   | I/O  | I <sup>2</sup> C-bus data                                     |
| SCL             | 8   | I    | I <sup>2</sup> C-bus clock                                    |
| INT             | 9   | O    | Interrupt output (active LOW). This pin is an open-drain pin. |
| SS2/GPIO2       | 10  | I/O  | SPI slave select output 2 (active LOW) or GPIO 2              |
| SPICLK          | 11  | O    | SPI clock   |
| V <sub>DD</sub> | 12  | -    | supply voltage  |
| SS3/GPIO3       | 13  | I/O  | SPI slave select output 3 (active LOW) or GPIO 3              |
| A0              | 14  | I    | address input 0   |
| A1              | 15  | I    | address input 1   |
| A2              | 16  | I    | address input 2   |

## 7. Functional description

The SC18IS602B acts as a bridge between an I<sup>2</sup>C-bus and an SPI interface. It allows an I<sup>2</sup>C-bus master device to communicate with any SPI-enabled device.

### 7.1 I<sup>2</sup>C-bus interface

The I<sup>2</sup>C-bus uses two wires (SDA and SCL) to transfer information between devices connected to the bus, and it has the following features:

- Bidirectional data transfer between masters and slaves
- Multi-master bus (no central master)
- Arbitration between simultaneously transmitting masters without corruption of serial data on the bus
- Serial clock synchronization allows devices with different bit rates to communicate via one serial bus
- Serial clock synchronization can be used as a handshake mechanism to suspend and resume serial transfer
- The I<sup>2</sup>C-bus may be used for test and diagnostic purposes

A typical I<sup>2</sup>C-bus configuration is shown in [Figure 3](#). (Refer to NXP Semiconductors UM10204, “I<sup>2</sup>C-bus specification and user manual”, at [www.nxp.com/documents/user\\_manual/UM10204.pdf](http://www.nxp.com/documents/user_manual/UM10204.pdf).)

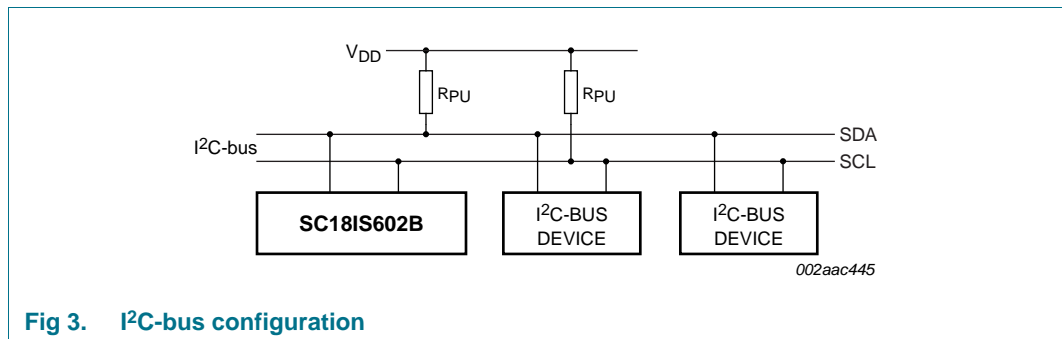


Fig 3. I<sup>2</sup>C-bus configuration

The SC18IS602B device provides a byte-oriented I<sup>2</sup>C-bus interface that supports data transfers up to 400 kHz. When the I<sup>2</sup>C-bus master is reading data from SC18IS602B, the device will be a slave-transmitter. The SC18IS602B will be a slave-receiver when the I<sup>2</sup>C-bus master is sending data. At no time does the SC18IS602B act as an I<sup>2</sup>C-bus master, however, it does have the ability to hold the SCL line LOW between bytes to complete its internal processes.

7.1.1 Addressing

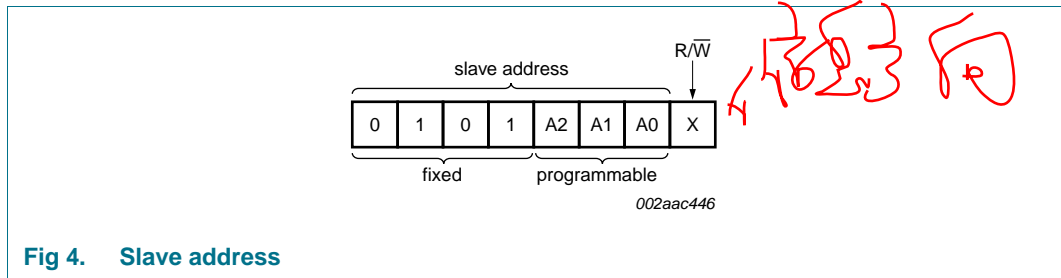


Fig 4. Slave address

The first seven bits of the first byte sent after a START condition defines the slave address of the device being accessed on the bus. The eighth bit determines the direction of the message. A '0' in the least significant position of the first byte means that the master will write information to a selected slave. A '1' in this position means that the master will read information from the slave. When an address is sent, each device in a system compares the first seven bits after the START condition with its address. If they match, the device considers itself addressed by the master as a slave-receiver or slave-transmitter, depending on the R/W bit.

A slave address of the SC18IS602B is comprised of a fixed and a programmable part. The programmable part of the slave address enables the maximum possible number of such devices to be connected to the I<sup>2</sup>C-bus. Since the SC18IS602B has three programmable address bits (defined by the A2, A1, and A0 pins), it is possible to have eight of these devices on the same bus.

The state of the A2, A1, and A0 pins are latched at reset. Changes made after reset will not alter the address.

When SC18IS602B is busy after the address byte is transmitted, it will not acknowledge its address.

7.1.2 Write to data buffer

All communications to or from the SC18IS602B occur through the data buffer. The data buffer is 200 bytes deep. A message begins with the SC18IS602B address, followed by the Function ID. Depending upon the Function ID, zero to 200 data bytes can follow.

The SC18IS602B will place the data received into a buffer and continue loading the buffer until a STOP condition is received. After the STOP condition is detected, further communications will not be acknowledged until the function designated by the Function ID has been completed.

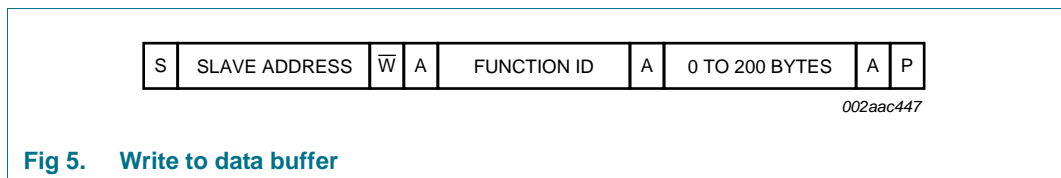


Fig 5. Write to data buffer

7.1.3 SPI read and write - Function ID 01h to 0Fh

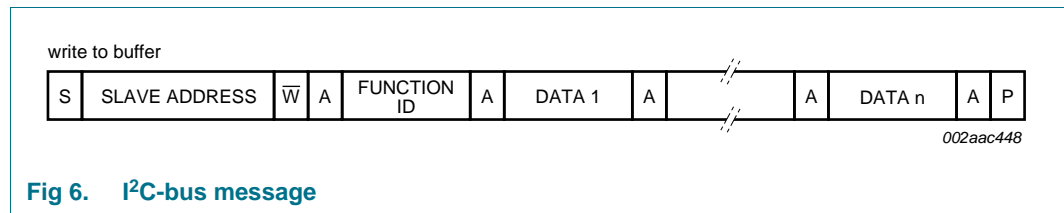
Data in the buffer will be sent to the SPI port if the Function ID is 01h to 0Fh. The Function ID contains the Slave Select (SS) to be used for the transmission on the SPI port. There are four Slave Selects that can be used, with each SS being selected by one of the bits in

the Function ID. There is no restriction on the number or combination of Slave Selects that can be enabled for an SPI message. If more than one  $\overline{SS}_n$  pin is enabled at one time, the user should be aware of possible contention on the data outputs of the SPI slave devices.

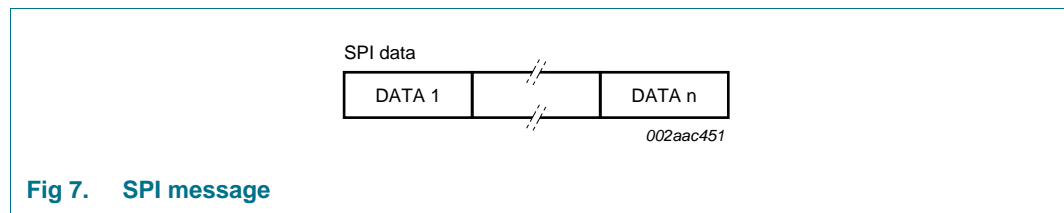
**Table 4. Function ID 01h to 0Fh**

| 7 | 6 | 5 | 4 | 3   | 2   | 1   | 0   |
|---|---|---|---|-----|-----|-----|-----|
| 0 | 0 | 0 | 0 | SS3 | SS2 | SS1 | SS0 |

The data on the SPI port will contain the same information as the I<sup>2</sup>C-bus data, but without the slave address and Function ID. For example, if the message shown in [Figure 6](#) is transmitted on the I<sup>2</sup>C-bus, the SPI bus will send the message shown in [Figure 7](#).



**Fig 6. I<sup>2</sup>C-bus message**



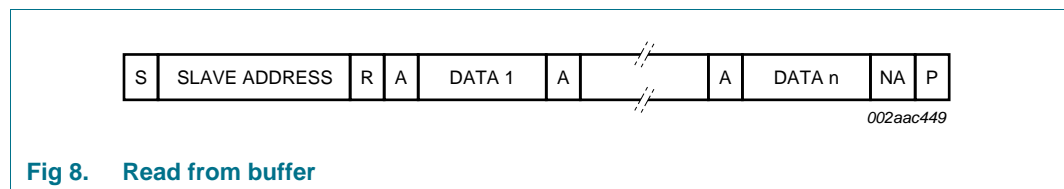
**Fig 7. SPI message**

The SC18IS602B counts the number of data bytes sent to the I<sup>2</sup>C-bus port and will automatically send this same number of bytes to the SPI bus. As the data is transmitted from the MOSI pin, it is also read from the MISO pin and saved in the data buffer. Therefore, the old data in the buffer is overwritten. The data in the buffer can then be read back.

If the data from the SPI bus needs to be returned to the I<sup>2</sup>C-bus master, the process must be completed by reading the data buffer. [Section 8](#) gives an example of an SPI read.

**7.1.4 Read from buffer**

A read from the data buffer requires no Function ID. The slave address with the  $\overline{R/W}$  bit set to a '1' will cause the SC18IS602B to send the buffer contents to the I<sup>2</sup>C-bus master. The buffer contents are not modified during the read process.



**Fig 8. Read from buffer**

A typical write and read from an SPI EEPROM is shown in [Section 8](#).

7.1.5 Configure SPI Interface - Function ID F0h

The SPI hardware operating mode, data direction, and frequency can be changed by sending a 'Configure SPI Interface' command to the I<sup>2</sup>C-bus.

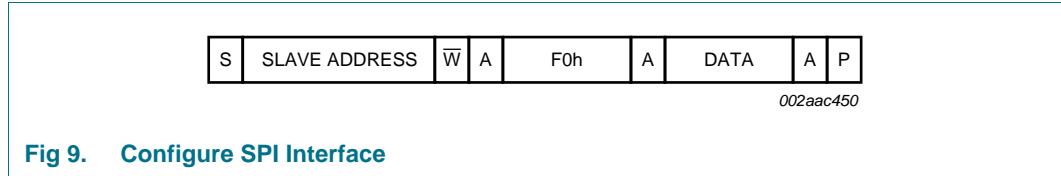


Fig 9. Configure SPI Interface

After the SC18IS602B address is transmitted on the bus, the Configure SPI Interface Function ID (F0h) is sent followed by a byte which will define the SPI communications.

The Clock Phase bit (CPHA) allows the user to set the edges for sampling and changing data. The Clock Polarity bit (CPOL) allows the user to set the clock polarity. [Figure 19](#) and [Figure 20](#) show the different settings of Clock Phase bit CPHA.

Table 5. Configure SPI Interface (F0h) bit allocation

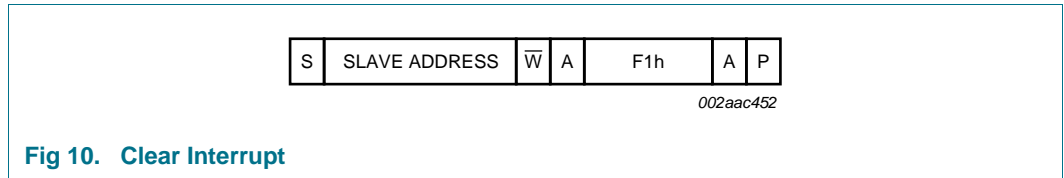
| Bit    | 7 | 6 | 5     | 4 | 3     | 2     | 1  | 0  |
|--------|---|---|-------|---|-------|-------|----|----|
| Symbol | X | X | ORDER | X | MODE1 | MODE0 | F1 | F0 |
| Reset  | X | X | 0     | X | 0     | 0     | 0  | 0  |

Table 6. Configure SPI Interface (F0h) bit description

| Bit | Symbol      | Description  |
|-----|-------------|--|
| 7:6 | -           | reserved   |
| 5   | ORDER       | When logic 0, the MSB of the data word is transmitted first. If logic 1, the LSB of the data word is transmitted first.  |
| 4   | -           | reserved   |
| 3:2 | MODE1:MODE0 | Mode selection<br>00 - SPICLK LOW when idle; data clocked in on leading edge (CPOL = 0, CPHA = 0)<br>01 - SPICLK LOW when idle; data clocked in on trailing edge (CPOL = 0, CPHA = 1)<br>10 - SPICLK HIGH when idle; data clocked in on trailing edge (CPOL = 1, CPHA = 0)<br>11 - SPICLK HIGH when idle; data clocked in on leading edge (CPOL = 1, CPHA = 1) |
| 1:0 | F1:F0       | SPI clock rate<br>00 - 1843 kHz<br>01 - 461 kHz<br>10 - 115 kHz<br>11 - 58 kHz   |

**7.1.6 Clear Interrupt - Function ID F1h**

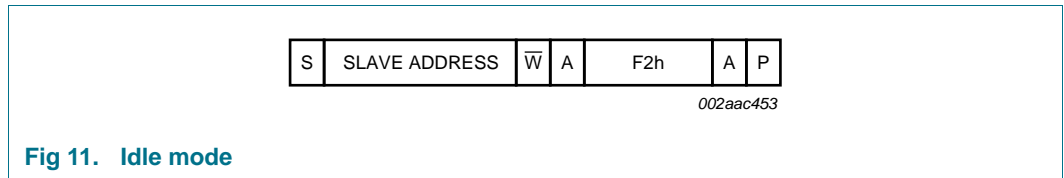
An interrupt is generated by the SC18IS602B after any SPI transmission has been completed. This interrupt can be cleared ( $\overline{\text{INT}}$  pin HIGH) by sending a ‘Clear Interrupt’ command. It is not necessary to clear the interrupt; when polling the device, this function may be ignored.



**Fig 10. Clear Interrupt**

**7.1.7 Idle mode - Function ID F2h**

A low-power mode may be entered by sending the ‘Idle Mode’ command.

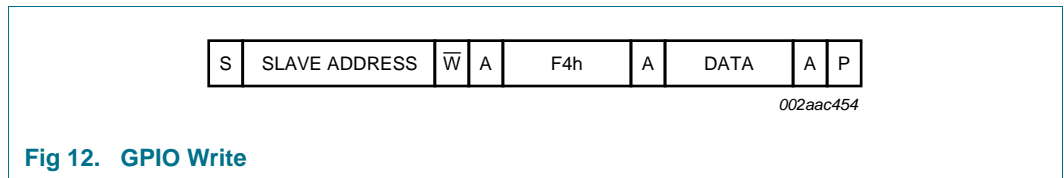


**Fig 11. Idle mode**

The Idle mode will be exited when its I<sup>2</sup>C-bus address is detected.

**7.1.8 GPIO Write - Function ID F4h**

The state of the pins defined as GPIO may be changed using the Port Write function.



**Fig 12. GPIO Write**

The data byte following the F4h command will determine the state of SS3, SS2, SS1, and SS0, if they are configured as GPIO. The Port Enable function will define if these pins are used as SPI Slave Selects or if they are GPIO.

**Table 7. GPIO Write (F0h) bit allocation**

| Bit    | 7 | 6 | 5 | 4 | 3   | 2   | 1   | 0   |
|--------|---|---|---|---|-----|-----|-----|-----|
| Symbol | X | X | X | X | SS3 | SS2 | SS1 | SS0 |
| Reset  | X | X | X | X | 0   | 0   | 0   | 0   |

7.1.9 GPIO Read - Function ID F5h

The state of the pins defined as GPIO may be read into the SC18IS602B data buffer using the GPIO Read function.

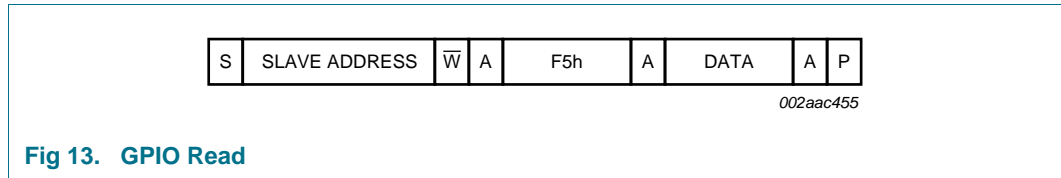


Fig 13. GPIO Read

Note that this function does not return the value of the GPIO. To receive the GPIO contents, a one-byte Read Buffer command would be required. The value of the Read Buffer command will return the following byte.

Table 8. GPIO Read (F5h) bit allocation

| 7 | 6 | 5 | 4 | 3   | 2   | 1   | 0   |
|---|---|---|---|-----|-----|-----|-----|
| X | X | X | X | SS3 | SS2 | SS1 | SS0 |

Data for pins not defined as GPIO are undefined.

A GPIO Read is always performed to update the GPIO data in the buffer. The buffer is undefined after the GPIO data is read back from the buffer. Therefore, reading data from the GPIO always requires a two-message sequence (GPIO Read, followed by Read Buffer).

7.1.10 GPIO Enable - Function ID F6h

At reset, the Slave Select pins ( $\overline{SS0}$ ,  $\overline{SS1}$ ,  $\overline{SS2}$  and  $\overline{SS3}$ ) are configured to be used as slave select outputs. If these pins are not required for the SPI functions, they can be used as GPIO after they are enabled as GPIO. Any combination of pins may be configured to function as GPIO or Slave Selects.

After the GPIO Enable function is sent, the ports defined as GPIO will be configured as quasi-bidirectional.

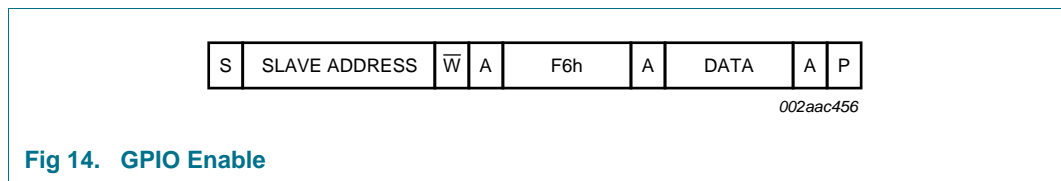


Fig 14. GPIO Enable

The data byte following the F6h command byte will determine which pins can be used as GPIO. A logic 1 will enable the pin as a GPIO, while a logic 0 will disable GPIO control.

Table 9. GPIO Enable (F6h) bit allocation

| 7 | 6 | 5 | 4 | 3   | 2   | 1   | 0   |
|---|---|---|---|-----|-----|-----|-----|
| X | X | X | X | SS3 | SS2 | SS1 | SS0 |

### 7.1.11 GPIO Configuration - Function ID F7h

The pins defined as GPIO may be configured by software to one of four types on a pin-by-pin basis. These are: quasi-bidirectional, push-pull, open-drain, and input-only.

Two bits select the output type for each port pin.

**Table 10. GPIO Configuration (F7h) bit allocation**

| 7     | 6     | 5     | 4     | 3     | 2     | 1     | 0     |
|-------|-------|-------|-------|-------|-------|-------|-------|
| SS3.1 | SS3.0 | SS2.1 | SS2.0 | SS1.1 | SS1.0 | SS0.1 | SS0.0 |

**Table 11. GPIO Configuration (F7h) bit description**

| Bit | Symbol | Description   |
|-----|--------|---|
| 7   | SS3.1  | SS3[1:0] = 00: quasi-bidirectional  |
| 6   | SS3.0  | SS3[1:0] = 01: push-pull<br>SS3[1:0] = 10: input-only (high-impedance)<br>SS3[1:0] = 11: open-drain |
| 5   | SS2.1  | SS2[1:0] = 00: quasi-bidirectional  |
| 4   | SS2.0  | SS2[1:0] = 01: push-pull<br>SS2[1:0] = 10: input-only (high-impedance)<br>SS2[1:0] = 11: open-drain |
| 3   | SS1.1  | SS1[1:0] = 00: quasi-bidirectional  |
| 2   | SS1.0  | SS1[1:0] = 01: push-pull<br>SS1[1:0] = 10: input-only (high-impedance)<br>SS1[1:0] = 11: open-drain |
| 1   | SS0.1  | SS0[1:0] = 00: quasi-bidirectional  |
| 0   | SS0.0  | SS0[1:0] = 01: push-pull<br>SS0[1:0] = 10: input-only (high-impedance)<br>SS0[1:0] = 11: open-drain |

The  $\overline{SSn}$  pins defined as GPIO, for example SS0.0 and SS0.1, may be configured by software to one of four types. These are: quasi-bidirectional, push-pull, open-drain, and input-only. Two configuration bits in GPIO Configuration register for each pin select the type for each pin. A pin has Schmitt-triggered input that also has a glitch suppression circuit.

#### 7.1.11.1 Quasi-bidirectional output configuration

Quasi-bidirectional outputs can be used both as an input and output without the need to reconfigure the pin. This is possible because when the pin outputs a logic HIGH, it is weakly driven, allowing an external device to pull the pin LOW. When the pin is driven LOW, it is driven strongly and able to sink a large current. There are three pull-up transistors in the quasi-bidirectional output that serve different purposes.

One of these pull-ups, called the 'very weak' pull-up, is turned on whenever the port latch for the pin contains a logic 1. This very weak pull-up sources a very small current that will pull the pin HIGH if it is left floating.

A second pull-up, called the 'weak' pull-up, is turned on when the port latch for the pin contains a logic 1 and the pin itself is also at a logic 1 level. This pull-up provides the primary source current for a quasi-bidirectional pin that is outputting a 1. If this pin is

pulled LOW by an external device, the weak pull-up turns off, and only the very weak pull-up remains on. In order to pull the pin LOW under these conditions, the external device has to sink enough current to overpower the weak pull-up and pull the pin below its input threshold voltage.

The third pull-up is referred to as the ‘strong’ pull-up. This pull-up is used to speed up LOW-to-HIGH transitions on a quasi-bidirectional pin when the port latch changes from a logic 0 to a logic 1. When this occurs, the strong pull-up turns on for two CPU clocks quickly pulling the pin HIGH.

The quasi-bidirectional pin configuration is shown in [Figure 15](#).

Although the SC18IS602B is a 3 V device, most of the pins are 5 V tolerant. If 5 V is applied to a pin configured in quasi-bidirectional mode, there will be a current flowing from the pin to V<sub>DD</sub> causing extra power consumption. Therefore, applying 5 V to pins configured in quasi-bidirectional mode is discouraged.

A quasi-bidirectional pin has a Schmitt-triggered input that also has a glitch suppression circuit.

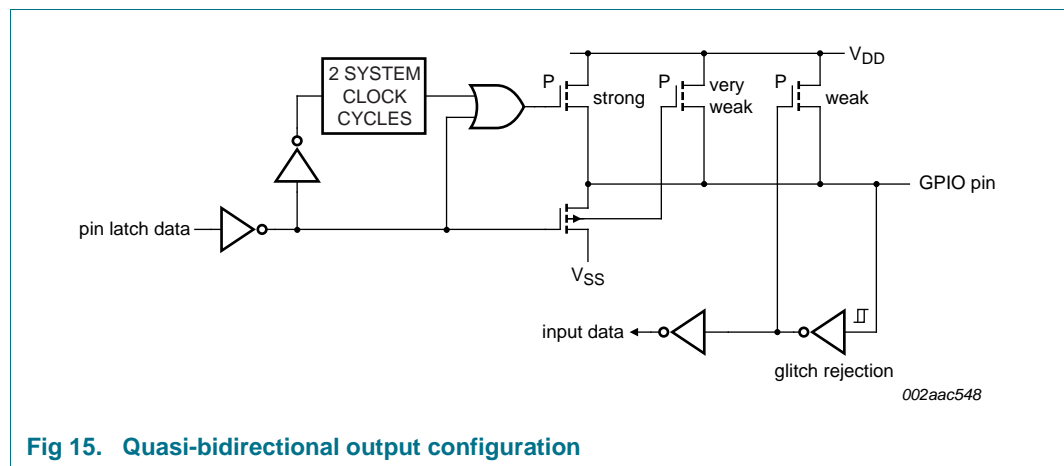


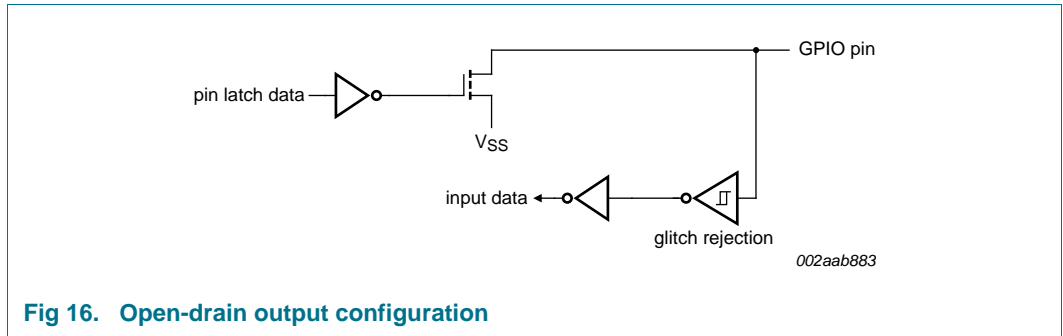
Fig 15. Quasi-bidirectional output configuration

7.1.11.2 Open-drain output configuration

The open-drain output configuration turns off all pull-ups and only drives the pull-down transistor of the pin when the port latch contains a logic 0. To be used as a logic output, a pin configured in this manner must have an external pull-up, typically a resistor tied to V<sub>DD</sub>. The pull-down for this mode is the same as for the quasi-bidirectional mode.

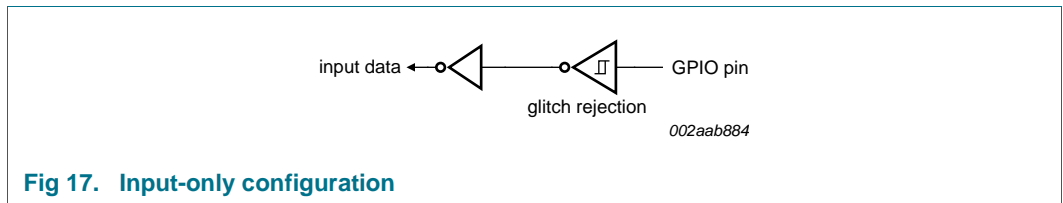
The open-drain pin configuration is shown in [Figure 16](#).

An open-drain pin has a Schmitt-triggered input that also has a glitch suppression circuit.



**7.1.11.3 Input-only configuration**

The input-only pin configuration is shown in [Figure 17](#). It is a Schmitt-triggered input that also has a glitch suppression circuit.

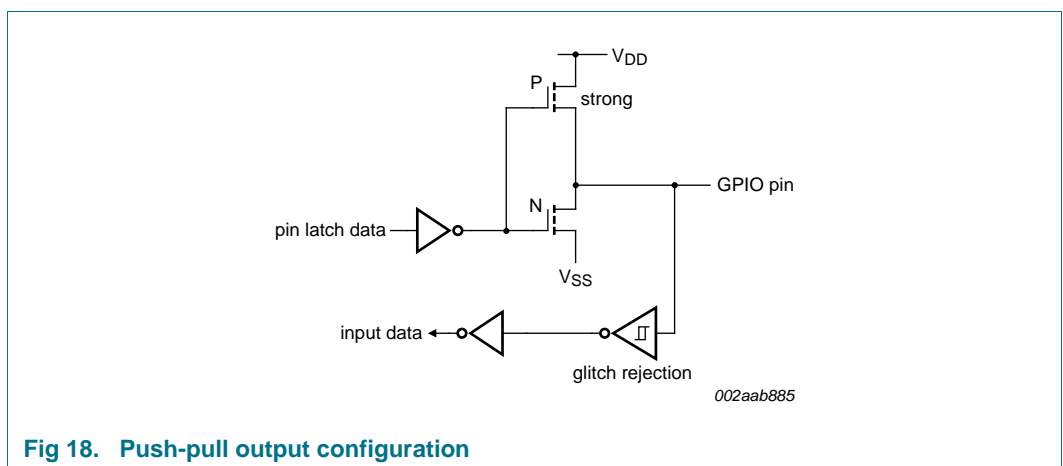


**7.1.11.4 Push-pull output configuration**

The push-pull output configuration has the same pull-down structure as both the open-drain and the quasi-bidirectional output modes but provides a continuous strong pull-up when the port latch contains a logic 1. The push-pull mode may be used when more source current is needed from a pin output.

The push-pull pin configuration is shown in [Figure 18](#).

A push-pull pin has a Schmitt-triggered input that also has a glitch suppression circuit.



## 7.2 SPI interface

The SPI interface can support Mode 0 through Mode 3 of the SPI specification and can operate up to 1.8 Mbit/s. The SPI interface uses at least four pins: SPICLK, MOSI, MISO, and Slave Select ( $\overline{SSn}$ ).

$\overline{SSn}$  are the slave select pins. In a typical configuration, an SPI master selects one SPI device as the current slave.

There are actually four  $\overline{SSn}$  pins ( $\overline{SS0}$ ,  $\overline{SS1}$ ,  $\overline{SS2}$  and  $\overline{SS3}$ ) to allow the SC18IS602B to communicate with multiple SPI devices.

The SC18IS602B generates the SPICLK (SPI clock) signal in order to send and receive data. The SCLK, MOSI, and MISO are typically tied together between two or more SPI devices. Data flows from the SC18IS602B (master) to slave on the MOSI pin (Pin 6) and the data flows from slave to SC18IS602B (master) on the MISO pin (Pin 5).

## 8. I<sup>2</sup>C-bus to SPI communications example

The following example describes a typical sequence of events required to read the contents of an SPI-based EEPROM. This example assumes that the SC18IS602B is configured to respond to address 50h. A START condition is shown as 'ST', while a STOP condition is 'SP'. The data is presented in hexadecimal format.

1. The first message is used to configure the SPI port for mode and frequency.

```
ST,50,F0,02,SP    SPI frequency 115 kHz using Mode 0
```

2. An SPI EEPROM first requires that a Write Enable command be sent before data can be written.

```
ST,50,04,06,SP    EEPROM write enable using SS2, assuming the Write Enable is 06h
```

3. Clear the interrupt. This is not required if using a polling method rather than interrupts.

```
ST,50,F1,SP    Clear interrupt
```

4. Write the 8 data bytes. The first byte (Function ID) tells the SC18IS602B which Slave Select output to use. This example uses SS2 (shown as 04h). The first byte sent to the EEPROM is normally 02h for the EEPROM write command. The next one or two bytes represent the subaddress in the EEPROM. In this example, a two-byte subaddress is used. Bytes 00 and 30 would cause the EEPROM to write to subaddress 0030h. The next eight bytes are the eight data bytes that will be written to subaddresses 0030h through 0037h.

```
ST,50,04,02,00,30,01,02,03,04,05,06,07,08,SP    Write 8 bytes using SS2
```

5. When an interrupt occurs, do a Clear Interrupt or wait until the SC18IS602B responds to its I<sup>2</sup>C-bus address.

```
ST,50,F1,SP    Clear interrupt
```

- Read the 8 bytes from the EEPROM. Note that we are writing a command, even though we are going to perform a read from the SPI port. The Function ID is again 04h, indicating that we are going to use SS2. The EEPROM requires that you send a 03h for a read, followed by the subaddress you would like to read. We are going to read back the same data previously written, so this means that the subaddress should be 0030h. We would like to read back 8 bytes so we can send eight bytes of FFh to tell the SC18IS602B to send eight more bytes on MOSI. While it is sending these eight data bytes, it is also reading the MISO pin and saving the data in the buffer.

ST,50,04,03,00,30,FF,FF,FF,FF,FF,FF,FF,FF,SP      Read 8 bytes using SS2

- The interrupt can be cleared, if needed.

ST,50,F1,SP      Clear interrupt

- Read back the data buffer. Note that we will actually need to read back 11 data bytes since the first three bytes sent on the SPI port were the read code (03h) and the two subaddress bytes.

ST,50,00,00,00,01,02,03,04,05,06,07,08,SP      Read the data buffer

You can see that on the I<sup>2</sup>C-bus the first four bytes do not contain the data from the SPI bus. The first byte is the SC18IS602B address, followed by three dummy data bytes. These dummy data bytes correspond to the three bytes sent to the EEPROM before it actually places data on the bus (command 03h, subaddress 0030h).

## 9. Limiting values

**Table 12. Limiting values**

In accordance with the Absolute Maximum Rating System (IEC 60134).<sup>[1][2]</sup>

| Symbol                     | Parameter                                      | Conditions                    | Min              | Max  | Unit |
|----------------------------|--|-------------------------------|------------------|------|------|
| T <sub>amb(bias)</sub>     | bias ambient temperature                       | operating                     | -55              | +125 | °C   |
| T <sub>stg</sub>           | storage temperature                            |                               | -65              | +150 | °C   |
| V <sub>n</sub>             | voltage on any other pin                       | referenced to V <sub>SS</sub> | -0.5             | +5.5 | V    |
| I <sub>OH(I/O)</sub>       | HIGH-level output current per input/output pin |                               | -                | 8    | mA   |
| I <sub>OL(I/O)</sub>       | LOW-level output current per input/output pin  |                               | -                | 20   | mA   |
| I <sub>I/O(tot)(max)</sub> | maximum total I/O current                      |                               | -                | 120  | mA   |
| P <sub>tot/pack</sub>      | total power dissipation per package            |                               | <sup>[3]</sup> - | 1.5  | W    |

- This product includes circuitry specifically designed for the protection of its internal devices from the damaging effects of excessive static charge. Nonetheless, it is suggested that conventional precautions be taken to avoid applying greater than the rated maximum.
- Parameters are valid over the operating temperature range unless otherwise specified. All voltages are with respect to V<sub>SS</sub> unless otherwise noted.
- Based on package heat transfer, not device power consumption.

## 10. Static characteristics

**Table 13. Static characteristics**
 $V_{DD} = 2.4\text{ V to }3.6\text{ V}$ ;  $T_{amb} = -40\text{ }^{\circ}\text{C to }+85\text{ }^{\circ}\text{C (industrial)}$ ; unless otherwise specified.

| Symbol                           | Parameter                                | Conditions  | Min                   | Typ <sup>[1]</sup> | Max         | Unit          |
|----------------------------------|--|---|-----------------------|--------------------|-------------|---------------|
| $I_{DD(\text{oper})}$            | operating supply current                 | $V_{DD} = 3.6\text{ V}$ ; $f = 7.3728\text{ MHz}$                             | -                     | 5.6                | 6.7         | mA            |
| $I_{DD(\text{idle})}$            | Idle mode supply current                 | $V_{DD} = 3.6\text{ V}$ ; $f = 7.3728\text{ MHz}$                             | -                     | 3.3                | 3.9         | mA            |
| $V_{th(\text{HL})}$              | HIGH-LOW threshold voltage               | Schmitt trigger input   | $0.22V_{DD}$          | $0.4V_{DD}$        | -           | V             |
| $V_{th(\text{LH})}$              | LOW-HIGH threshold voltage               | Schmitt trigger input   | -                     | $0.6V_{DD}$        | $0.7V_{DD}$ | V             |
| $V_{hys}$                        | hysteresis voltage                       |   | -                     | $0.2V_{DD}$        | -           | V             |
| $V_{OL}$                         | LOW-level output voltage                 | all pins  |                       |                    |             |               |
|                                  |  | $I_{OL} = 20\text{ mA}$   | -                     | 0.6                | 1.0         | V             |
|                                  |  | $I_{OL} = 10\text{ mA}$   | -                     | 0.3                | 0.5         | V             |
|                                  |  | $I_{OL} = 3.2\text{ mA}$  | -                     | 0.2                | 0.3         | V             |
| $V_{OH}$                         | HIGH-level output voltage                | all pins  |                       |                    |             |               |
|                                  |  | $I_{OH} = -8\text{ mA}$ ;<br>push-pull mode                                   | $V_{DD} - 1$          | -                  | -           | V             |
|                                  |  | $I_{OH} = -3.2\text{ mA}$ ;<br>push-pull mode                                 | $V_{DD} - 0.7$        | $V_{DD} - 0.4$     | -           | V             |
|                                  |  | $I_{OH} = -20\text{ }\mu\text{A}$ ;<br>quasi-bidirectional mode               | $V_{DD} - 0.3$        | $V_{DD} - 0.2$     | -           | V             |
| $C_{ig}$                         | input capacitance at gate                |   | <sup>[2]</sup> -      | -                  | 15          | pF            |
| $I_{IL}$                         | LOW-level input current                  | logical 0; $V_I = 0.4\text{ V}$   | <sup>[3]</sup> -      | -                  | -80         | $\mu\text{A}$ |
| $I_{LI}$                         | input leakage current                    | all ports; $V_I = V_{IL}$ or $V_{IH}$   | <sup>[4]</sup> -      | -                  | $\pm 10$    | $\mu\text{A}$ |
| $I_{THL}$                        | HIGH-LOW transition current              | all ports; logical 1-to-0;<br>$V_I = 2.0\text{ V}$ at $V_{DD} = 3.6\text{ V}$ | <sup>[5][6]</sup> -30 | -                  | -450        | $\mu\text{A}$ |
| $R_{\text{RESET}_N(\text{int})}$ | internal pull-up resistance on pin RESET |   | 10                    | -                  | 30          | k $\Omega$    |

[1] Typical ratings are not guaranteed. The values listed are at room temperature, 3 V.

[2] Pin capacitance is characterized but not tested.

[3] Measured with pins in quasi-bidirectional mode.

[4] Measured with pins in high-impedance mode.

[5] Pins in quasi-bidirectional mode with weak pull-up (applies to all pins with pull-ups).

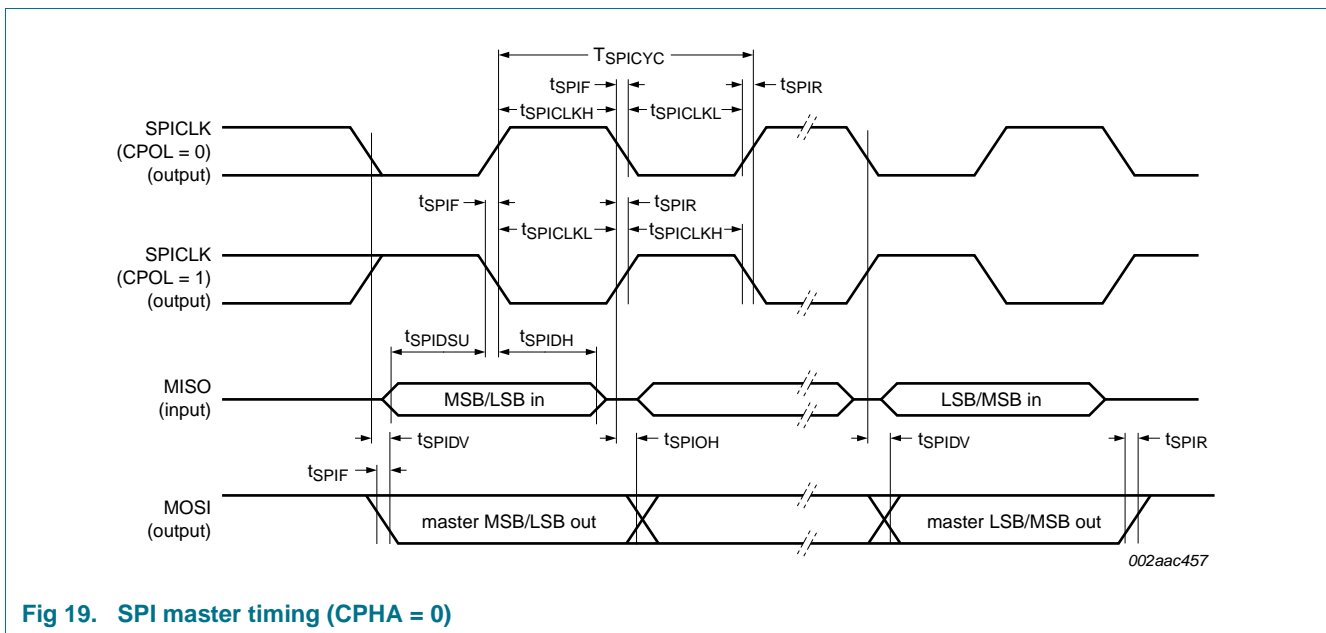
[6] Pins source a transition current when used in quasi-bidirectional mode and externally driven from logic 1 to logic 0. This current is highest when  $V_I$  is approximately 2 V.

## 11. Dynamic characteristics

**Table 14. Dynamic characteristics**

$V_{DD} = 2.4\text{ V to }3.6\text{ V}$ ;  $T_{amb} = -40\text{ °C to }+85\text{ °C (industrial)}$ ; unless otherwise specified.

| Symbol                      | Parameter                            | Conditions  | Min   | Typ | Max   | Unit |
|-----------------------------|--------------------------------------|---|-------|-----|-------|------|
| $f_{osc(RC)}$               | internal RC oscillator frequency     | nominal $f = 7.3728\text{ MHz}$ ;<br>trimmed to $\pm 1\%$ at $T_{amb} = 25\text{ °C}$ | 7.189 | -   | 7.557 | MHz  |
| <b>Glitch filter</b>        |                                      |   |       |     |       |      |
| $t_{gr}$                    | glitch rejection time                | $\overline{\text{RESET}}$ pin   | -     | -   | 50    | ns   |
|                             |                                      | any pin except $\overline{\text{RESET}}$  | 125   | -   | -     | ns   |
| $t_{sa}$                    | signal acceptance time               | $\overline{\text{RESET}}$ pin   | -     | -   | 15    | ns   |
|                             |                                      | any pin except $\overline{\text{RESET}}$  | 50    | -   | -     | ns   |
| <b>SPI master interface</b> |                                      |   |       |     |       |      |
| $f_{SPI}$                   | SPI operating frequency              | 1.843 MHz   | -     | -   | 1.843 | MHz  |
| $T_{SPICYC}$                | SPI cycle time                       | 1.843 MHz   | 543   | -   | -     | ns   |
| $t_{SPICKH}$                | SPICLK HIGH time                     |   | 271   | -   | -     | ns   |
| $t_{SPICKL}$                | SPICLK LOW time                      |   | 271   | -   | -     | ns   |
| $t_{SPIDSU}$                | SPI data set-up time                 |   | 100   | -   | -     | ns   |
| $t_{SPIDH}$                 | SPI data hold time                   |   | 100   | -   | -     | ns   |
| $t_{SPIDV}$                 | SPI enable to output data valid time |   | -     | -   | 160   | ns   |
| $t_{SPIOH}$                 | SPI output data hold time            |   | 0     | -   | -     | ns   |
| $t_{SPIR}$                  | SPI rise time                        | SPI outputs (SPICLK, MOSI, MISO)  | -     | -   | 100   | ns   |
|                             |                                      | SPI inputs (SPICLK, MOSI, MISO, SSn)  | -     | -   | 2000  | ns   |
| $t_{SPIF}$                  | SPI fall time                        | SPI outputs (SPICLK, MOSI, MISO)  | -     | -   | 100   | ns   |
|                             |                                      | SPI inputs (SPICLK, MOSI, MISO, SSn)  | -     | -   | 2000  | ns   |



**Fig 19. SPI master timing (CPHA = 0)**

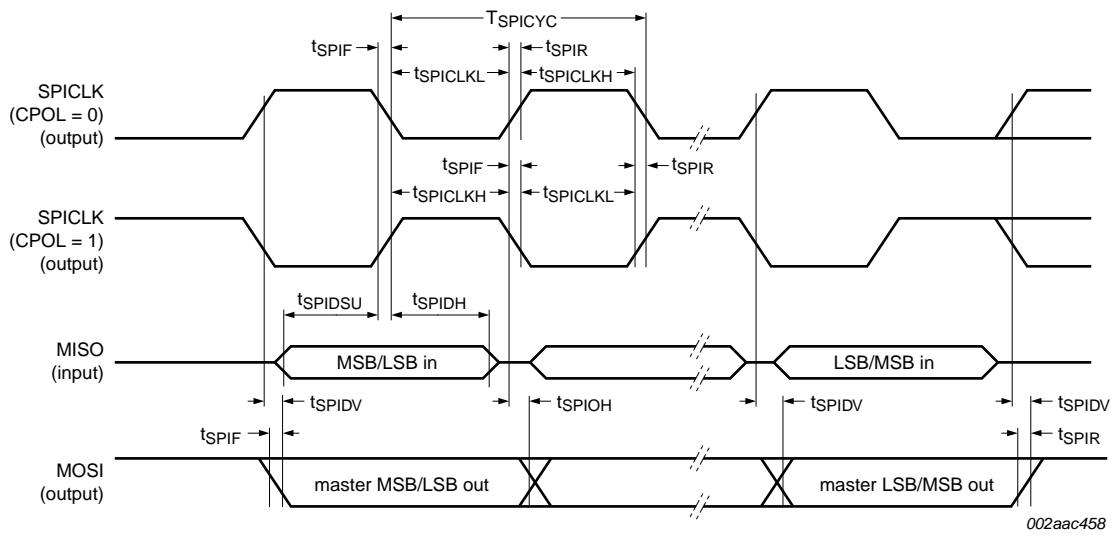


Fig 20. SPI master timing (CPHA = 1)

12. Package outline

TSSOP16: plastic thin shrink small outline package; 16 leads; body width 4.4 mm

SOT403-1

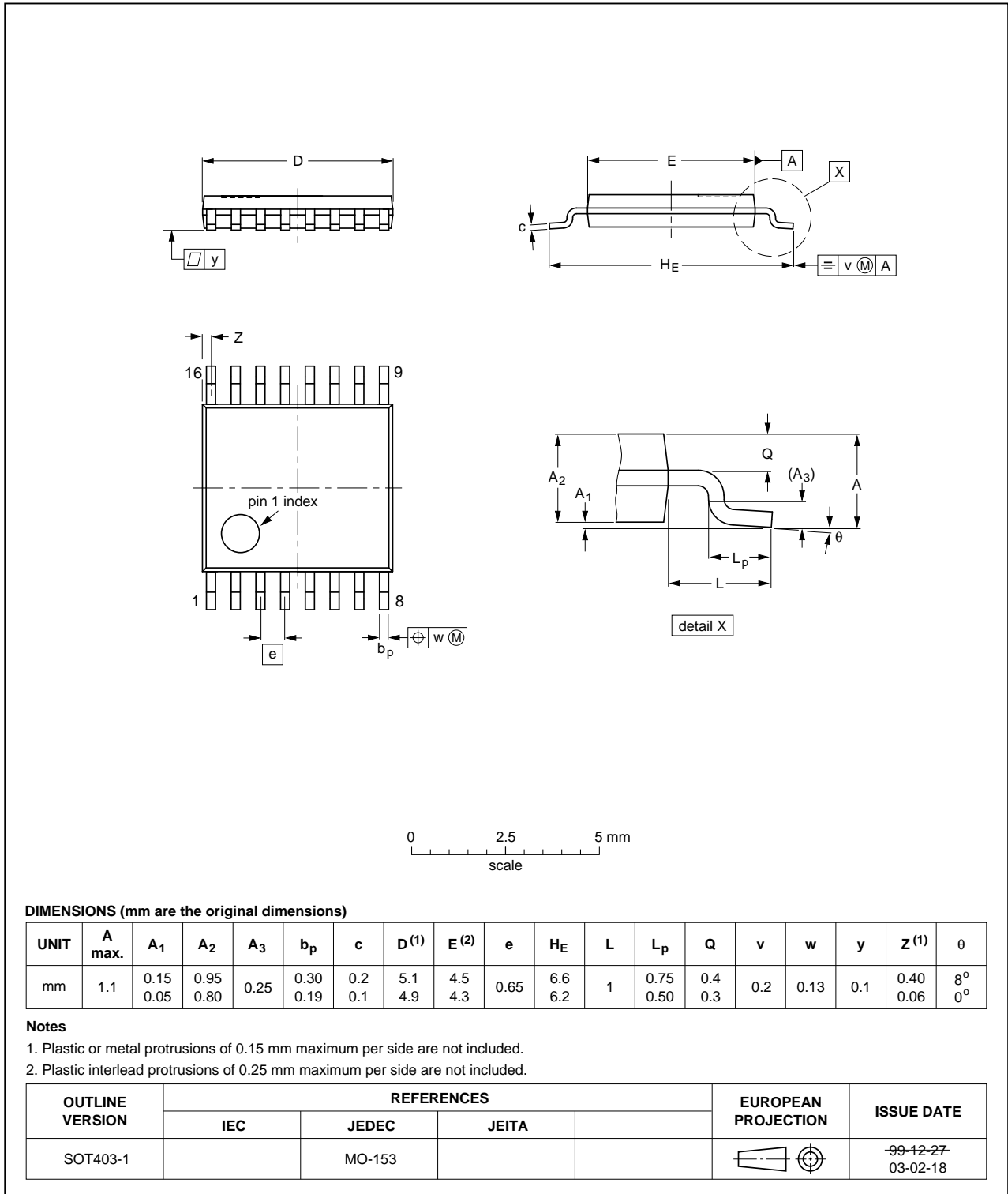


Fig 21. Package outline SOT403-1 (TSSOP16)

## 13. Soldering of SMD packages

This text provides a very brief insight into a complex technology. A more in-depth account of soldering ICs can be found in Application Note *AN10365 "Surface mount reflow soldering description"*.

### 13.1 Introduction to soldering

Soldering is one of the most common methods through which packages are attached to Printed Circuit Boards (PCBs), to form electrical circuits. The soldered joint provides both the mechanical and the electrical connection. There is no single soldering method that is ideal for all IC packages. Wave soldering is often preferred when through-hole and Surface Mount Devices (SMDs) are mixed on one printed wiring board; however, it is not suitable for fine pitch SMDs. Reflow soldering is ideal for the small pitches and high densities that come with increased miniaturization.

### 13.2 Wave and reflow soldering

Wave soldering is a joining technology in which the joints are made by solder coming from a standing wave of liquid solder. The wave soldering process is suitable for the following:

- Through-hole components
- Leaded or leadless SMDs, which are glued to the surface of the printed circuit board

Not all SMDs can be wave soldered. Packages with solder balls, and some leadless packages which have solder lands underneath the body, cannot be wave soldered. Also, leaded SMDs with leads having a pitch smaller than ~0.6 mm cannot be wave soldered, due to an increased probability of bridging.

The reflow soldering process involves applying solder paste to a board, followed by component placement and exposure to a temperature profile. Leaded packages, packages with solder balls, and leadless packages are all reflow solderable.

Key characteristics in both wave and reflow soldering are:

- Board specifications, including the board finish, solder masks and vias
- Package footprints, including solder thieves and orientation
- The moisture sensitivity level of the packages
- Package placement
- Inspection and repair
- Lead-free soldering versus SnPb soldering

### 13.3 Wave soldering

Key characteristics in wave soldering are:

- Process issues, such as application of adhesive and flux, clinching of leads, board transport, the solder wave parameters, and the time during which components are exposed to the wave
- Solder bath specifications, including temperature and impurities

### 13.4 Reflow soldering

Key characteristics in reflow soldering are:

- Lead-free versus SnPb soldering; note that a lead-free reflow process usually leads to higher minimum peak temperatures (see [Figure 22](#)) than a SnPb process, thus reducing the process window
- Solder paste printing issues including smearing, release, and adjusting the process window for a mix of large and small components on one board
- Reflow temperature profile; this profile includes preheat, reflow (in which the board is heated to the peak temperature) and cooling down. It is imperative that the peak temperature is high enough for the solder to make reliable solder joints (a solder paste characteristic). In addition, the peak temperature must be low enough that the packages and/or boards are not damaged. The peak temperature of the package depends on package thickness and volume and is classified in accordance with [Table 15](#) and [16](#)

**Table 15. SnPb eutectic process (from J-STD-020D)**

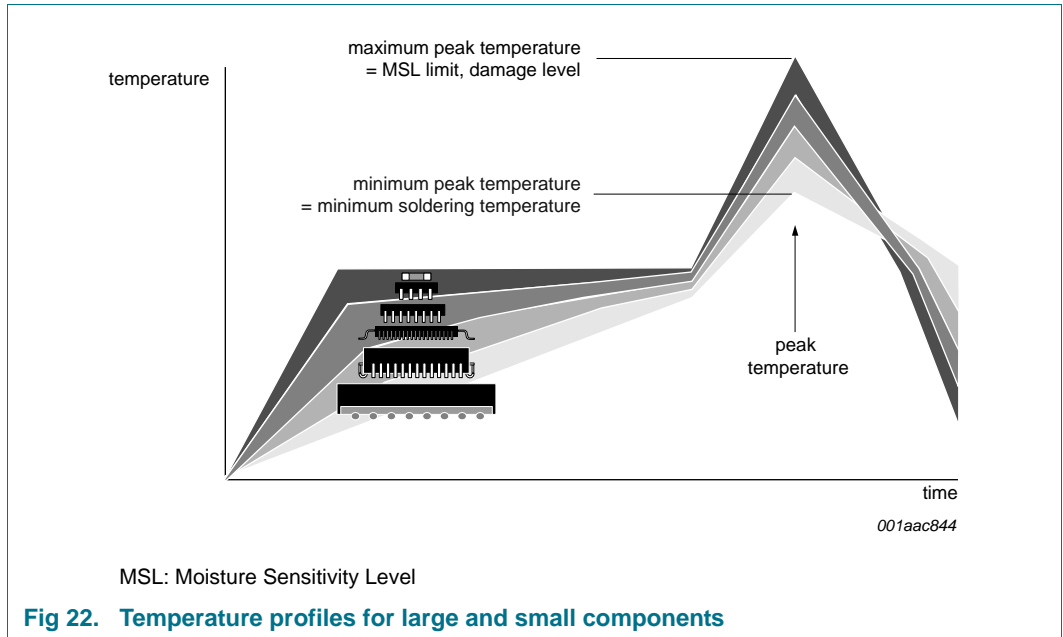
| Package thickness (mm) | Package reflow temperature (°C) |       |
|------------------------|---------------------------------|-------|
|                        | Volume (mm <sup>3</sup> )       |       |
|                        | < 350                           | ≥ 350 |
| < 2.5                  | 235                             | 220   |
| ≥ 2.5                  | 220                             | 220   |

**Table 16. Lead-free process (from J-STD-020D)**

| Package thickness (mm) | Package reflow temperature (°C) |             |        |
|------------------------|---------------------------------|-------------|--------|
|                        | Volume (mm <sup>3</sup> )       |             |        |
|                        | < 350                           | 350 to 2000 | > 2000 |
| < 1.6                  | 260                             | 260         | 260    |
| 1.6 to 2.5             | 260                             | 250         | 245    |
| > 2.5                  | 250                             | 245         | 245    |

Moisture sensitivity precautions, as indicated on the packing, must be respected at all times.

Studies have shown that small packages reach higher temperatures during reflow soldering, see [Figure 22](#).



For further information on temperature profiles, refer to Application Note AN10365 “Surface mount reflow soldering description”.

## 14. Abbreviations

**Table 17. Abbreviations**

| Acronym              | Description   |
|----------------------|---|
| CDM                  | Charged Device Model                                |
| CPU                  | Central Processing Unit                             |
| EEPROM               | Electrically Erasable Programmable Read-Only Memory |
| ESD                  | ElectroStatic Discharge                             |
| GPIO                 | General Purpose Input/Output                        |
| HBM                  | Human Body Model                                    |
| I/O                  | Input/Output  |
| I <sup>2</sup> C-bus | Inter-Integrated Circuit bus                        |
| LSB                  | Least Significant Bit                               |
| MM                   | Machine Model                                       |
| MSB                  | Most Significant Bit                                |
| SPI                  | Serial Peripheral Interface                         |

## 15. Revision history

**Table 18. Revision history**

| Document ID            | Release date | Data sheet status  | Change notice  | Supersedes             |
|------------------------|--------------|--------------------|--|------------------------|
| SC18IS602B v.5.1       | 20150211     | Product data sheet | -  | SC18IS602_602B_603 v.5 |
| Modifications:         |              |                    |  |                        |
|                        |              |                    | <ul style="list-style-type: none"> <li>• <a href="#">Table 3 "Pin description"</a>: Added "This pin is an open-drain pin" to <math>\overline{\text{INT}}</math> pin description</li> <li>• Updated <a href="#">Section 4 "Ordering information"</a></li> </ul> |                        |
| SC18IS602B v.5         | 20100803     | Product data sheet |  | SC18IS602_602B_603 v.4 |
| SC18IS602_602B_603 v.4 | 20080311     | Product data sheet | -  | SC18IS602_603 v.3      |
| SC18IS602_603 v.3      | 20070813     | Product data sheet | -  | SC18IS602_603 v.2      |
| SC18IS602_603 v.2      | 20061213     | Product data sheet | -  | SC18IS602_603 v.1      |
| SC18IS602_603 v.1      | 20060926     | Product data sheet | -  | -                      |

## 16. Legal information

### 16.1 Data sheet status

| Document status <sup>[1][2]</sup> | Product status <sup>[3]</sup> | Definition  |
|-----------------------------------|-------------------------------|---|
| Objective [short] data sheet      | Development                   | This document contains data from the objective specification for product development. |
| Preliminary [short] data sheet    | Qualification                 | This document contains data from the preliminary specification.                       |
| Product [short] data sheet        | Production                    | This document contains the product specification.                                     |

[1] Please consult the most recently issued document before initiating or completing a design.

[2] The term 'short data sheet' is explained in section "Definitions".

[3] The product status of device(s) described in this document may have changed since this document was published and may differ in case of multiple devices. The latest product status information is available on the Internet at URL <http://www.nxp.com>.

### 16.2 Definitions

**Draft** — The document is a draft version only. The content is still under internal review and subject to formal approval, which may result in modifications or additions. NXP Semiconductors does not give any representations or warranties as to the accuracy or completeness of information included herein and shall have no liability for the consequences of use of such information.

**Short data sheet** — A short data sheet is an extract from a full data sheet with the same product type number(s) and title. A short data sheet is intended for quick reference only and should not be relied upon to contain detailed and full information. For detailed and full information see the relevant full data sheet, which is available on request via the local NXP Semiconductors sales office. In case of any inconsistency or conflict with the short data sheet, the full data sheet shall prevail.

**Product specification** — The information and data provided in a Product data sheet shall define the specification of the product as agreed between NXP Semiconductors and its customer, unless NXP Semiconductors and customer have explicitly agreed otherwise in writing. In no event however, shall an agreement be valid in which the NXP Semiconductors product is deemed to offer functions and qualities beyond those described in the Product data sheet.

### 16.3 Disclaimers

**Limited warranty and liability** — Information in this document is believed to be accurate and reliable. However, NXP Semiconductors does not give any representations or warranties, expressed or implied, as to the accuracy or completeness of such information and shall have no liability for the consequences of use of such information. NXP Semiconductors takes no responsibility for the content in this document if provided by an information source outside of NXP Semiconductors.

In no event shall NXP Semiconductors be liable for any indirect, incidental, punitive, special or consequential damages (including - without limitation - lost profits, lost savings, business interruption, costs related to the removal or replacement of any products or rework charges) whether or not such damages are based on tort (including negligence), warranty, breach of contract or any other legal theory.

Notwithstanding any damages that customer might incur for any reason whatsoever, NXP Semiconductors' aggregate and cumulative liability towards customer for the products described herein shall be limited in accordance with the *Terms and conditions of commercial sale* of NXP Semiconductors.

**Right to make changes** — NXP Semiconductors reserves the right to make changes to information published in this document, including without limitation specifications and product descriptions, at any time and without notice. This document supersedes and replaces all information supplied prior to the publication hereof.

**Suitability for use** — NXP Semiconductors products are not designed, authorized or warranted to be suitable for use in life support, life-critical or safety-critical systems or equipment, nor in applications where failure or malfunction of an NXP Semiconductors product can reasonably be expected to result in personal injury, death or severe property or environmental damage. NXP Semiconductors and its suppliers accept no liability for inclusion and/or use of NXP Semiconductors products in such equipment or applications and therefore such inclusion and/or use is at the customer's own risk.

**Applications** — Applications that are described herein for any of these products are for illustrative purposes only. NXP Semiconductors makes no representation or warranty that such applications will be suitable for the specified use without further testing or modification.

Customers are responsible for the design and operation of their applications and products using NXP Semiconductors products, and NXP Semiconductors accepts no liability for any assistance with applications or customer product design. It is customer's sole responsibility to determine whether the NXP Semiconductors product is suitable and fit for the customer's applications and products planned, as well as for the planned application and use of customer's third party customer(s). Customers should provide appropriate design and operating safeguards to minimize the risks associated with their applications and products.

NXP Semiconductors does not accept any liability related to any default, damage, costs or problem which is based on any weakness or default in the customer's applications or products, or the application or use by customer's third party customer(s). Customer is responsible for doing all necessary testing for the customer's applications and products using NXP Semiconductors products in order to avoid a default of the applications and the products or of the application or use by customer's third party customer(s). NXP does not accept any liability in this respect.

**Limiting values** — Stress above one or more limiting values (as defined in the Absolute Maximum Ratings System of IEC 60134) will cause permanent damage to the device. Limiting values are stress ratings only and (proper) operation of the device at these or any other conditions above those given in the Recommended operating conditions section (if present) or the Characteristics sections of this document is not warranted. Constant or repeated exposure to limiting values will permanently and irreversibly affect the quality and reliability of the device.

**Terms and conditions of commercial sale** — NXP Semiconductors products are sold subject to the general terms and conditions of commercial sale, as published at <http://www.nxp.com/profile/terms>, unless otherwise agreed in a valid written individual agreement. In case an individual agreement is concluded only the terms and conditions of the respective agreement shall apply. NXP Semiconductors hereby expressly objects to applying the customer's general terms and conditions with regard to the purchase of NXP Semiconductors products by customer.

**No offer to sell or license** — Nothing in this document may be interpreted or construed as an offer to sell products that is open for acceptance or the grant, conveyance or implication of any license under any copyrights, patents or other industrial or intellectual property rights.

**Export control** — This document as well as the item(s) described herein may be subject to export control regulations. Export might require a prior authorization from competent authorities.

**Non-automotive qualified products** — Unless this data sheet expressly states that this specific NXP Semiconductors product is automotive qualified, the product is not suitable for automotive use. It is neither qualified nor tested in accordance with automotive testing or application requirements. NXP Semiconductors accepts no liability for inclusion and/or use of non-automotive qualified products in automotive equipment or applications.

In the event that customer uses the product for design-in and use in automotive applications to automotive specifications and standards, customer (a) shall use the product without NXP Semiconductors' warranty of the product for such automotive applications, use and specifications, and (b) whenever customer uses the product for automotive applications beyond NXP Semiconductors' specifications such use shall be solely at customer's

own risk, and (c) customer fully indemnifies NXP Semiconductors for any liability, damages or failed product claims resulting from customer design and use of the product for automotive applications beyond NXP Semiconductors' standard warranty and NXP Semiconductors' product specifications.

**Translations** — A non-English (translated) version of a document is for reference only. The English version shall prevail in case of any discrepancy between the translated and English versions.

## 16.4 Trademarks

Notice: All referenced brands, product names, service names and trademarks are the property of their respective owners.

**I<sup>2</sup>C-bus** — logo is a trademark of NXP Semiconductors N.V.

## 17. Contact information

For more information, please visit: <http://www.nxp.com>

For sales office addresses, please send an email to: [salesaddresses@nxp.com](mailto:salesaddresses@nxp.com)

## 18. Contents

|           |   |           |           |                           |           |
|-----------|---|-----------|-----------|---------------------------|-----------|
| <b>1</b>  | <b>General description</b> . . . . .                              | <b>1</b>  | <b>18</b> | <b>Contents</b> . . . . . | <b>25</b> |
| <b>2</b>  | <b>Features and benefits</b> . . . . .                            | <b>1</b>  |           |                           |           |
| <b>3</b>  | <b>Applications</b> . . . . .                                     | <b>1</b>  |           |                           |           |
| <b>4</b>  | <b>Ordering information</b> . . . . .                             | <b>2</b>  |           |                           |           |
| 4.1       | Ordering options . . . . .  | 2         |           |                           |           |
| <b>5</b>  | <b>Block diagram</b> . . . . .                                    | <b>2</b>  |           |                           |           |
| <b>6</b>  | <b>Pinning information</b> . . . . .                              | <b>3</b>  |           |                           |           |
| 6.1       | Pinning . . . . .   | 3         |           |                           |           |
| 6.2       | Pin description . . . . .   | 3         |           |                           |           |
| <b>7</b>  | <b>Functional description</b> . . . . .                           | <b>4</b>  |           |                           |           |
| 7.1       | I <sup>2</sup> C-bus interface . . . . .                          | 4         |           |                           |           |
| 7.1.1     | Addressing . . . . .  | 5         |           |                           |           |
| 7.1.2     | Write to data buffer . . . . .                                    | 5         |           |                           |           |
| 7.1.3     | SPI read and write - Function ID 01h to 0Fh . . . . .             | 5         |           |                           |           |
| 7.1.4     | Read from buffer . . . . .  | 6         |           |                           |           |
| 7.1.5     | Configure SPI Interface - Function ID F0h . . . . .               | 7         |           |                           |           |
| 7.1.6     | Clear Interrupt - Function ID F1h . . . . .                       | 8         |           |                           |           |
| 7.1.7     | Idle mode - Function ID F2h . . . . .                             | 8         |           |                           |           |
| 7.1.8     | GPIO Write - Function ID F4h . . . . .                            | 8         |           |                           |           |
| 7.1.9     | GPIO Read - Function ID F5h . . . . .                             | 9         |           |                           |           |
| 7.1.10    | GPIO Enable - Function ID F6h . . . . .                           | 9         |           |                           |           |
| 7.1.11    | GPIO Configuration - Function ID F7h . . . . .                    | 10        |           |                           |           |
| 7.1.11.1  | Quasi-bidirectional output configuration . . . . .                | 10        |           |                           |           |
| 7.1.11.2  | Open-drain output configuration . . . . .                         | 11        |           |                           |           |
| 7.1.11.3  | Input-only configuration . . . . .                                | 12        |           |                           |           |
| 7.1.11.4  | Push-pull output configuration . . . . .                          | 12        |           |                           |           |
| 7.2       | SPI interface . . . . .   | 13        |           |                           |           |
| <b>8</b>  | <b>I<sup>2</sup>C-bus to SPI communications example</b> . . . . . | <b>13</b> |           |                           |           |
| <b>9</b>  | <b>Limiting values</b> . . . . .                                  | <b>14</b> |           |                           |           |
| <b>10</b> | <b>Static characteristics</b> . . . . .                           | <b>15</b> |           |                           |           |
| <b>11</b> | <b>Dynamic characteristics</b> . . . . .                          | <b>16</b> |           |                           |           |
| <b>12</b> | <b>Package outline</b> . . . . .                                  | <b>18</b> |           |                           |           |
| <b>13</b> | <b>Soldering of SMD packages</b> . . . . .                        | <b>19</b> |           |                           |           |
| 13.1      | Introduction to soldering . . . . .                               | 19        |           |                           |           |
| 13.2      | Wave and reflow soldering . . . . .                               | 19        |           |                           |           |
| 13.3      | Wave soldering . . . . .  | 19        |           |                           |           |
| 13.4      | Reflow soldering . . . . .  | 20        |           |                           |           |
| <b>14</b> | <b>Abbreviations</b> . . . . .                                    | <b>21</b> |           |                           |           |
| <b>15</b> | <b>Revision history</b> . . . . .                                 | <b>22</b> |           |                           |           |
| <b>16</b> | <b>Legal information</b> . . . . .                                | <b>23</b> |           |                           |           |
| 16.1      | Data sheet status . . . . .                                       | 23        |           |                           |           |
| 16.2      | Definitions . . . . .   | 23        |           |                           |           |
| 16.3      | Disclaimers . . . . .   | 23        |           |                           |           |
| 16.4      | Trademarks . . . . .  | 24        |           |                           |           |
| <b>17</b> | <b>Contact information</b> . . . . .                              | <b>24</b> |           |                           |           |

Please be aware that important notices concerning this document and the product(s) described herein, have been included in section 'Legal information'.

© NXP Semiconductors N.V. 2015.

All rights reserved.

For more information, please visit: <http://www.nxp.com>

For sales office addresses, please send an email to: [salesaddresses@nxp.com](mailto:salesaddresses@nxp.com)

Date of release: 11 February 2015

Document identifier: SC18IS602B